

DM Idea



Scroll saw patterns & Woodworking plans

Tissue Cover Box



www.dmidea.eu

DM Idea -youtube

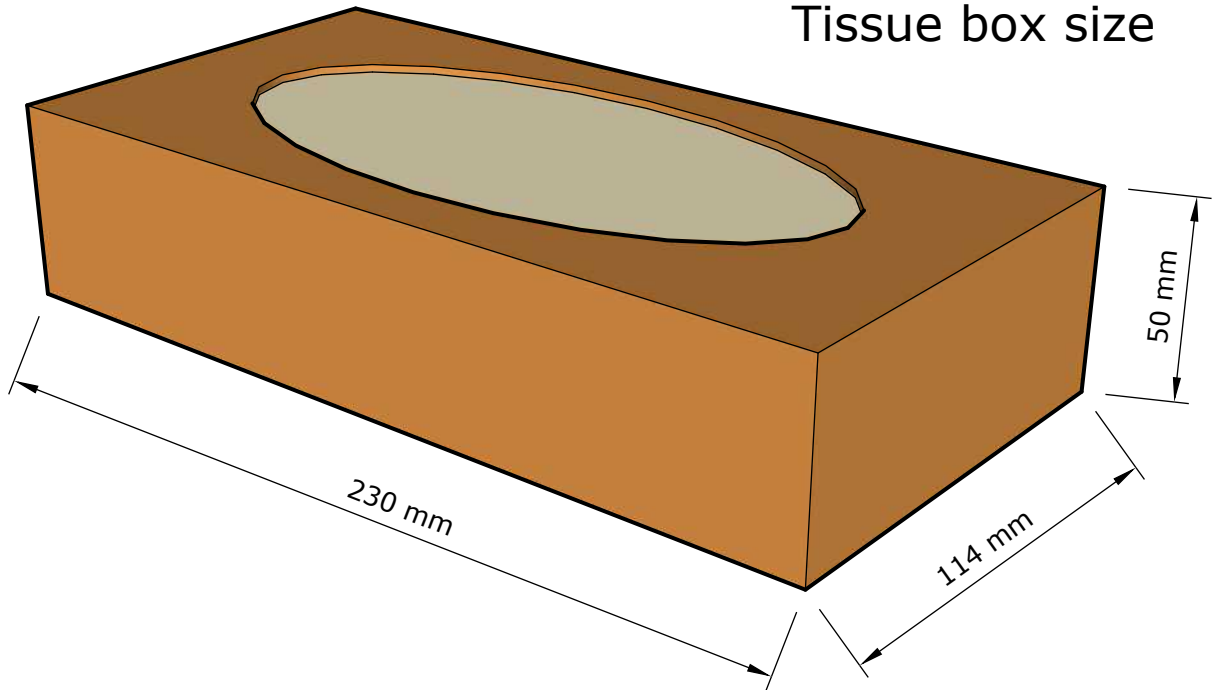
danielmiskoidea@gmail.com

Patterns for personal use only.

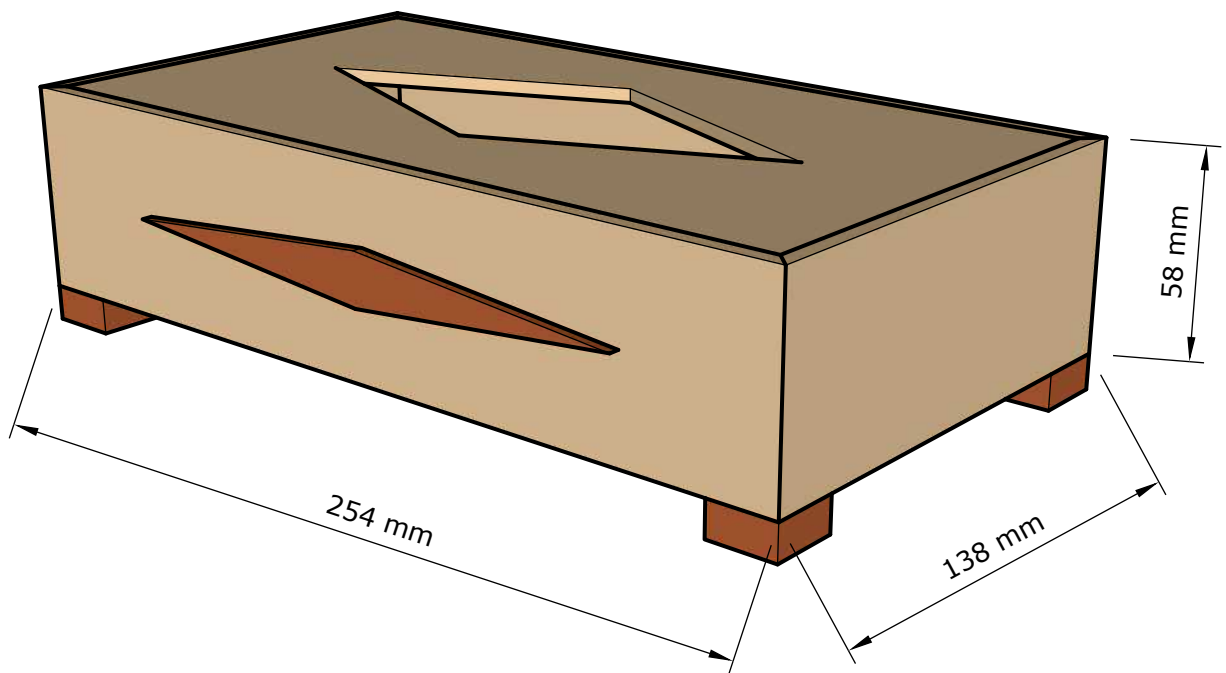
Copyright Daniel Misko 2016

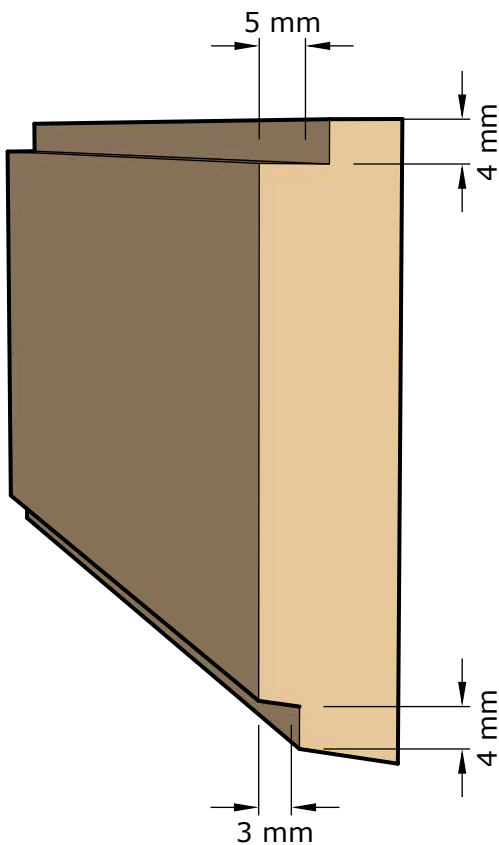
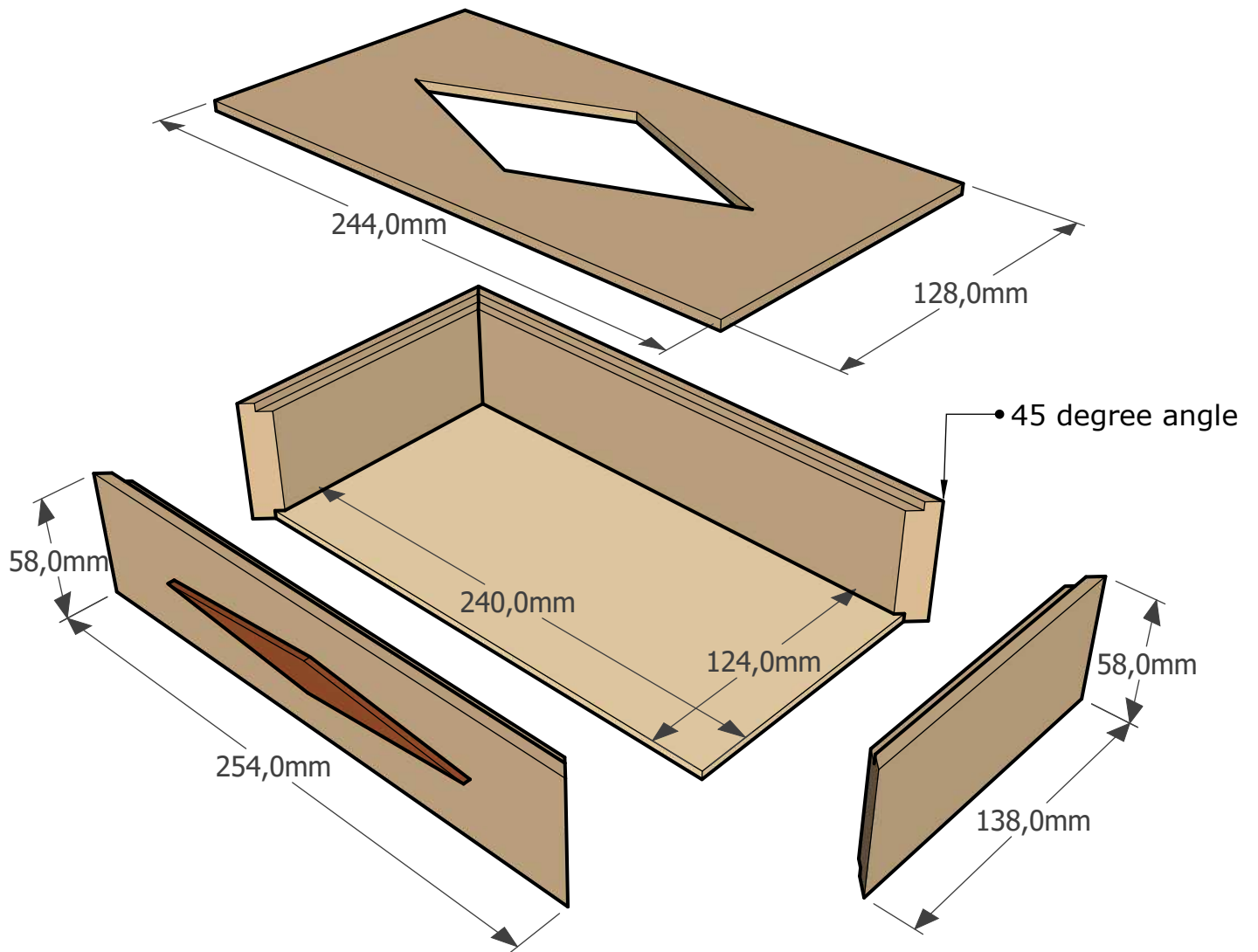


Tissue box size



Tissue cover box size

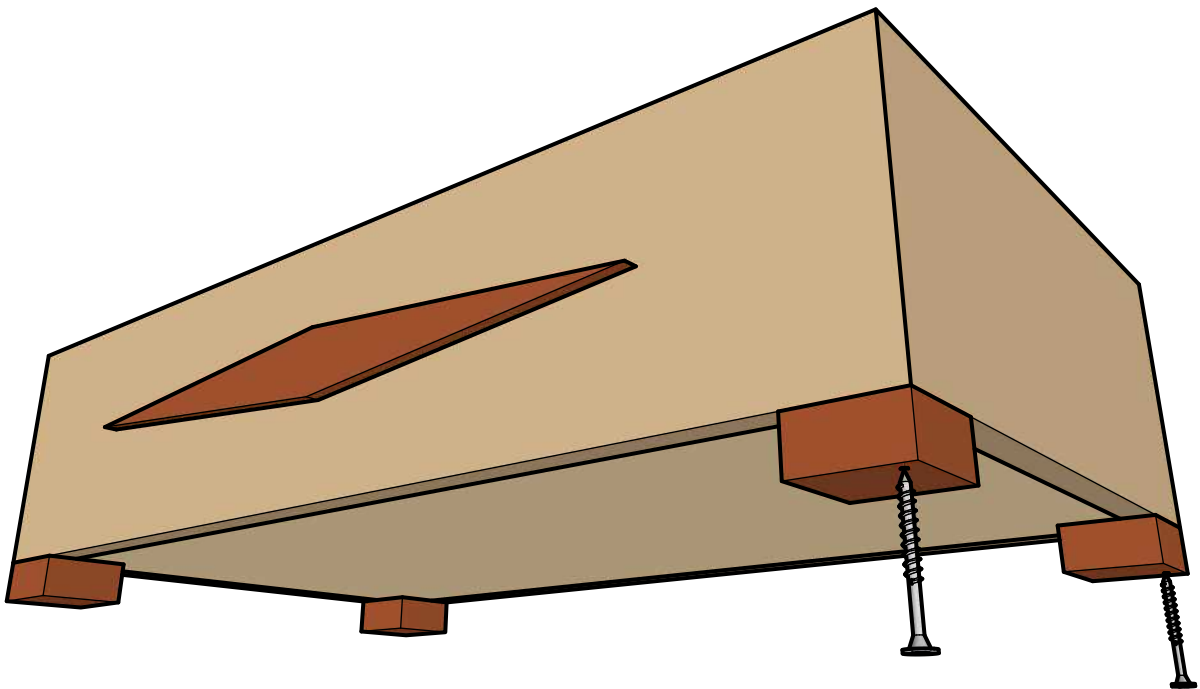
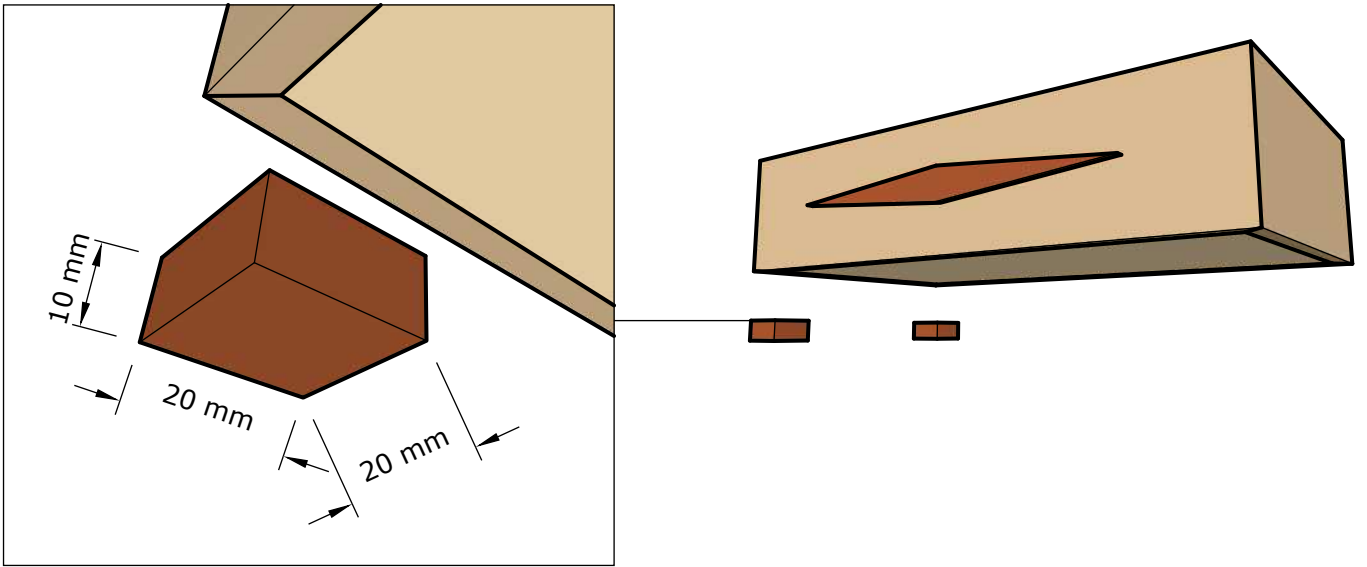




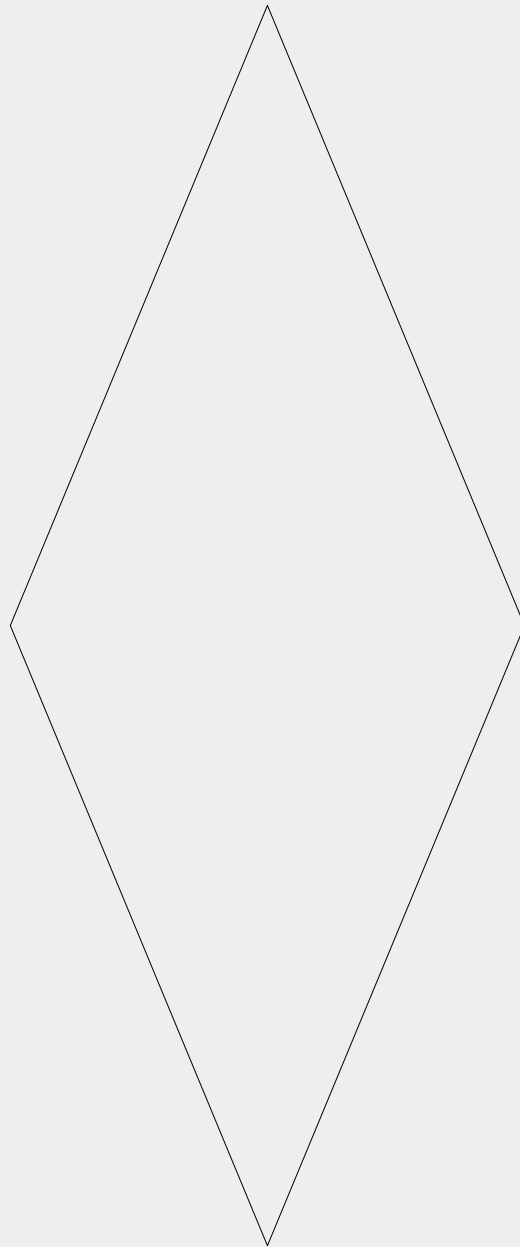
**Front, back and side pieces
thickness - 10 mm**

**Top and bottom
thickness - 4 mm**





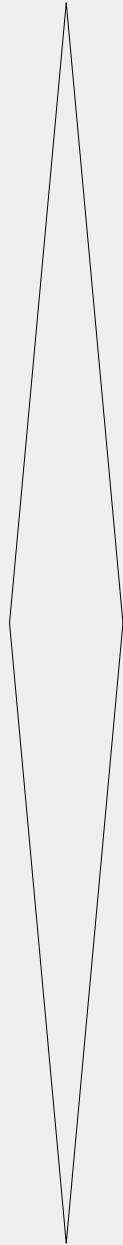
Top
1:1 Scale



4 mm thick



Front
1:1 Scale



10 mm thick

For this cut tilt scroll saw table to the left (about 3 degrees) and cut in clockwise direction.

This may vary depending on scroll saw blade thickness, it's always a good idea to make some test cuts.

Alternatively, you can cut out this shape out of 4 mm material and simply glue it on the front panel.

